

USB to RS485 Serial Port Cable

Please read the product manual carefully before using the product.

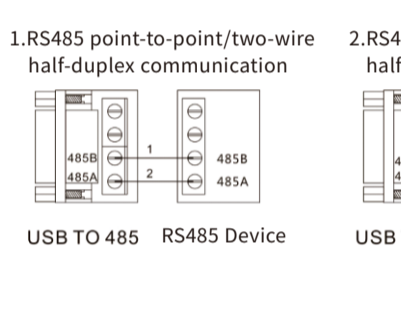
I. Product Introduction

This product is a USB to RS485 serial port cable, which realizes the conversion between USB interface and RS485 interface, so that devices with USB interface can transmit data with devices that support RS485 communication protocol. It uses high-quality materials and advanced manufacturing technology, ensuring that the product has good anti-interference ability and stability, and can operate stably for a long time in a complex industrial environment. The products widely cover industrial automation, instrumentation, security monitoring and other fields, and can be connected to PLC, frequency converters, sensors and other equipment products to provide standard signal interfaces.

II. Function Parameters

- Standard: Complies with USB2.0 standard, backward compatible, complies with RS485 standard.
- Working mode: Asynchronous half-duplex, point-to-point or point-to-multipoint communication mode.
- Support: data bits: 5, 6, 7, 8, stop bits: 1, 2; parity bits: Even, Odd, None, Mark, Space.
- Interface protection: Anti-surge 600W, ±15KV electrostatic protection.
- Rate: RS485 transmission rate 300bps-3Mbps; can connect 256 RS485 devices.
- Support Windows/Mac/Linux/Windows ce operating system.
- Operating environment: -20°C~80°C, relative humidity 5%~95%.

III. Interface Description

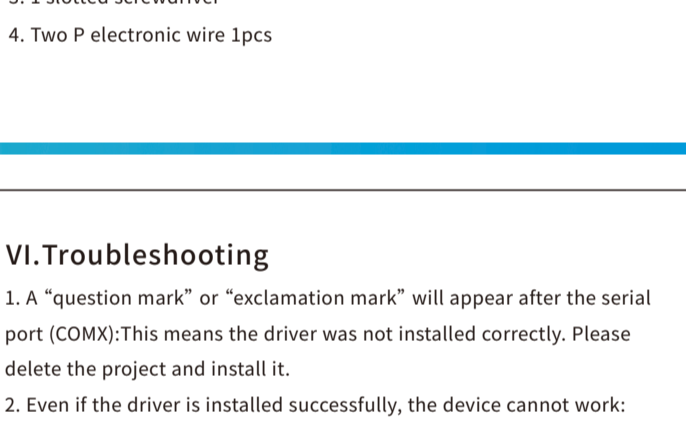


Pin	Definition
1	RS458A
2	RS485B
5	GND
9	DC 5V(Power output)

Location	Definition
DC 5V	Power output
GND	ground
RS485B	RS485B Communication interface
RS485A	RS485A Communication interface

IV. Product Connection Diagram

- RS485 point-to-point/two-wire half-duplex communication
- RS485 point-to-multipoint/two-wire half-duplex communication



V. Product Accessories

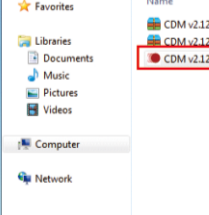
- Product 1pcs
- Terminal block 1pcs
- 1 slotted screwdriver
- Two P electronic wire 1pcs

VI. Troubleshooting

- A "question mark" or "exclamation mark" will appear after the serial port (COM): This means the driver was not installed correctly. Please delete the project and install it.
- Even if the driver is installed successfully, the device cannot work: If the adapter is installed on COM5, reassign it to COM1, 2, 3 or 4. It is possible that the computer only scans a limited number of COM ports (e.g. 3 or 4) and therefore the computer does not recognize the COM5 port with this limitation until the COM port is reassigned.

VII. Product Driven

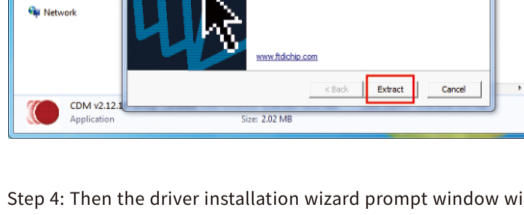
Please open the browser and scan the QR code to download the driver.



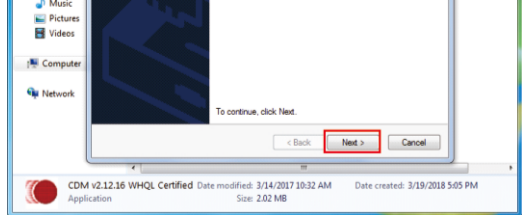
Driver Link: <http://www.dtech.cn/upload/drive/FTDIdrive.rar>

VIII. FTDI series serial port line driver operation guide

Taking the win7 64-bit operating system as an example, Step 1: Open the folder and select the "windows" folder. As shown in the picture.



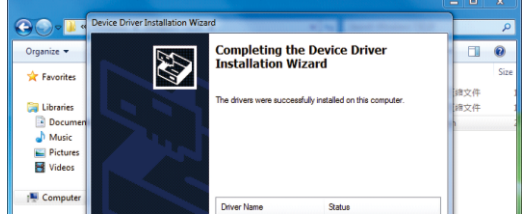
Step 2: After double-clicking the "windows7,8,10" folder, the installation project will pop up. Double-click "Applications". As shown in the picture.



Step 3: After double-clicking "Application", the chip company name information will pop up. Click "Extract" as shown in the figure.



Step 4: Then the driver installation wizard prompt window will pop up, click "Next", as shown in the figure.



Step 5: Select "I accept this agreement" and click "Next", as shown in the figure.



Step 6: A pop-up window will pop up indicating that the driver installation has been completed, click "Finish", as shown in the figure.

